

Court Room

Design Guide

DOC-0555-001 REV 1.2 – May 11, 2022

Room Application

Voice Lift, Remote Witness, FTR Recording.

Included Interfaces

VoIP, Telco, USB.

Primary Equipment

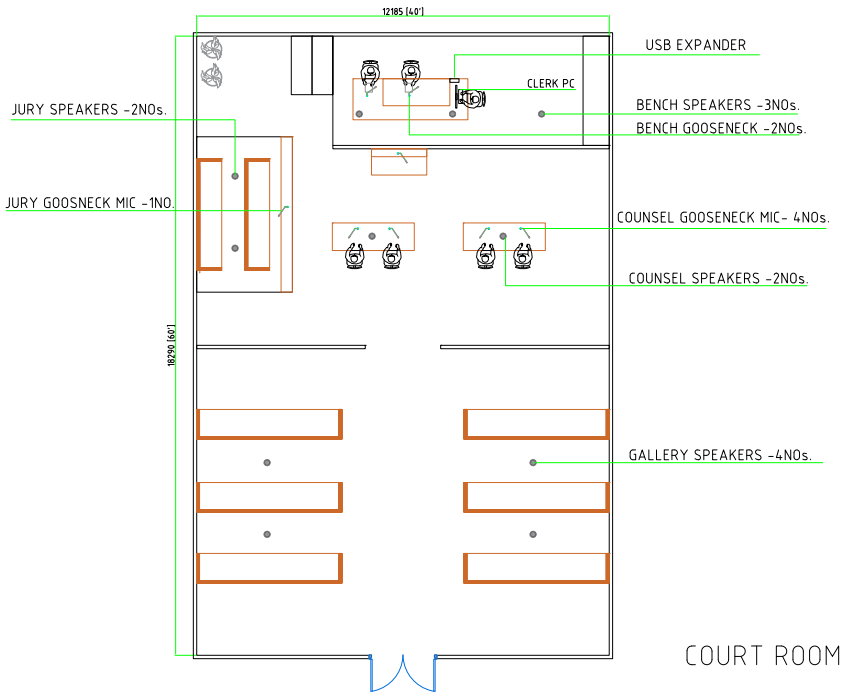
- CONVERGE® Pro 2 128VTD
- Dante Microphones
- Converge PA460 Amplifier

Software/Firmware revisions utilized

- Console AI Version: 7.5.4.1
- DSP Version: 8.5.15.0
- BMA360 Version: 1.0.6.10



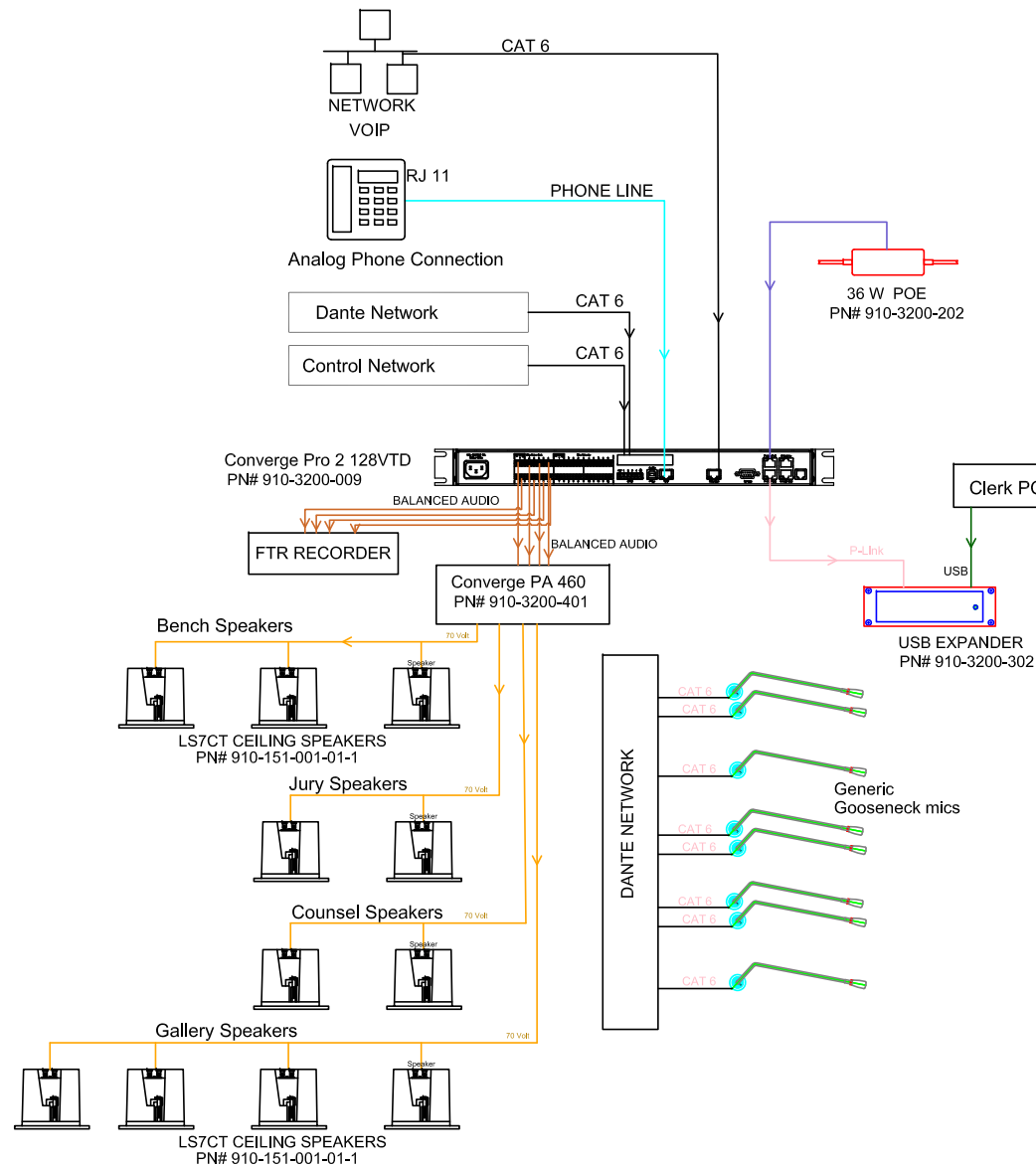
Room Illustrations



Room Description

Quality audio is key in the modern courtroom. This system design provides excellent audio pick-up for recording and transmit of all key courtroom positions, as well as voice lift for perfect communication within the courtroom itself.

Wiring Diagram



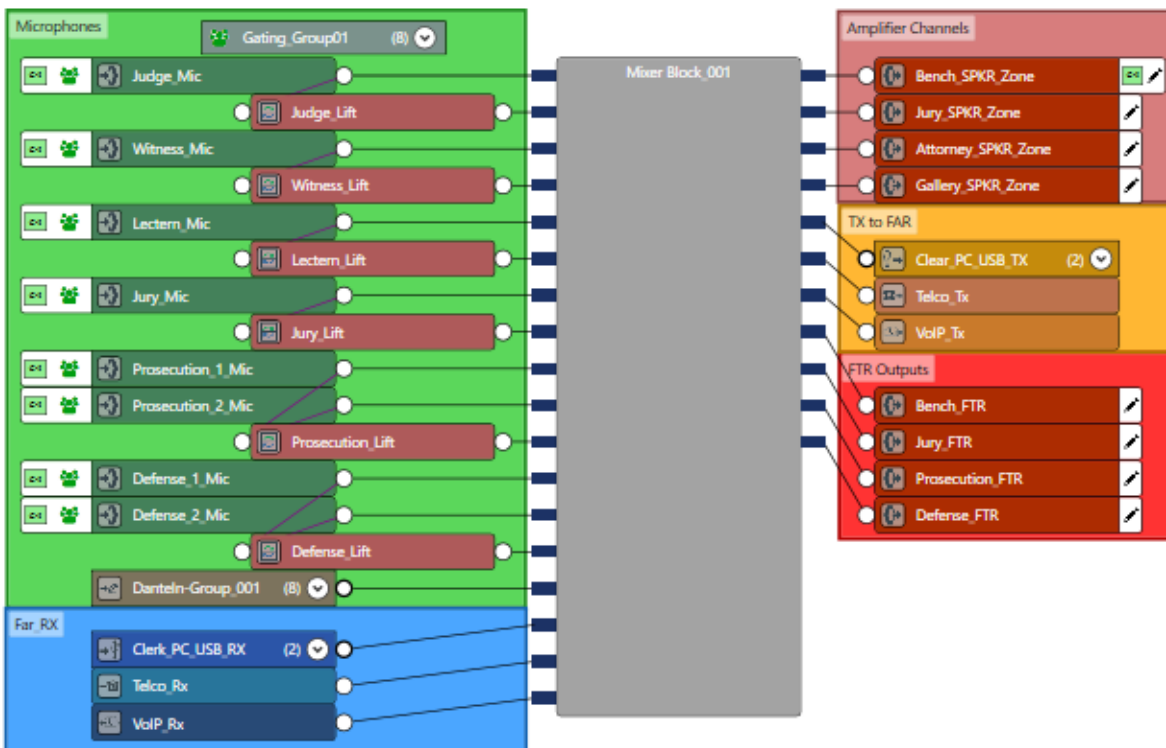
LEGEND	
	SPEAKER (18 AWG Wire)
	POE
	USB
	HDMI
	P-LINK (CAT 6)
	NETWORK (CAT 6)
	MICROPHONE

NOTE: ANY INDIVIDUAL P-LINK MUST NOT EXCEED 200 FEET / 61 METER IN LENGTH

Equipment list:

Qty	Part Number	Product Name	Description
1	910-3200-009-D	CONVERGE® Pro 2 48VT	DSP Mixer with 12 Mic/Line AEC Inputs, 8 Mic/Line Outputs, USB Audio, VoIP, Telephone Interface, Dante 16 x 16
1	910-3200-302	USB Expander for CONVERGE® Pro 2	Includes 6 ft USB cable
1	910-3200-202	36W PoE+ power supply kit	Includes 1 x 36 Watt PoE+ Injector, 2 x 25 ft CAT6 cables
6	910-151-001-01	Ceiling Speakers	Includes 2 x LS6CT ceiling speakers with 8 ohm and 70V/100V transformer taps and ceiling tile bridges.
1	910-3200-401	CONVERGE® PA 460	4 Ch x 60 Watts Class-D audio power amplifier. Half rack size. Rack-mount kit not included.

FlowView™ Diagram



Included Macros

- BenchMicMute : Mutes Judge and Witness Microphones.
- BenchMicUnmute : Unmutes Judge and Witness Microphones.
- DefenseMicMute : Mutes Defense Gooseneck Microphones.
- DefenseMicUnmute : Unmutes Defense Gooseneck Microphones.
- FullSystemMute : Mutes all Microphones as well as Far End RX and TX audio channels.
- FullSystemUnmute : Unmutes all Microphones as well as Far End RX and TX audio channels.
- JuryMicMute : Mutes the Jury Gooseneck Microphone.
- JuryMicUnmute : Unmutes the Jury Gooseneck Microphone.
- ProsecutionMicMute : Mutes the Prosecution Gooseneck Microphones.
- ProsecutionMicUnmute : Unmutes the Prosecution Gooseneck Microphones.

* Macros can be executed via Telnet or serial communications.
Refer to the Converge Pro 2 Serial Command Reference Manual for details.

Download the Court Room files: [HERE](#)

SALES AND INQUIRIES

Headquarters

5225 Wiley Post Way Suite 500
Salt Lake City, UT 84116

Headquarters

Main: +1.801.975.7200

Sales

Tel: +1.801.975.7200
sales@clearone.com

Tech Support

Tel: +1.801.974.3760
audiotechsupport@clearone.com